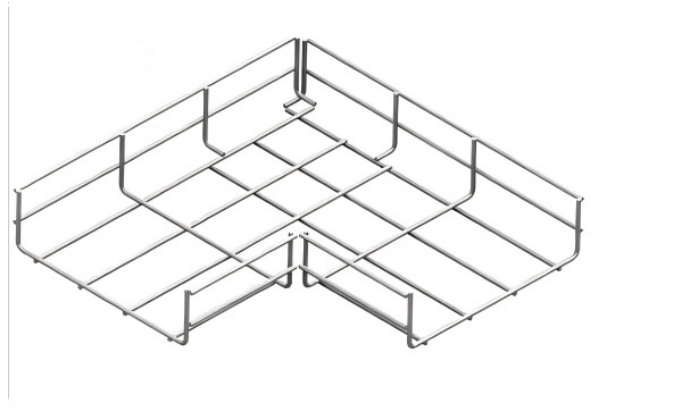


What to do if the fiber optic splice box is fully stocked



Overview

In this clip, we break down what to do when your splice case has 3 or more cables. That's how you make sure every single fiber line gets traced clean and accurate no missed paths, no weak. The Splicing As-Built must display spliced counts underlined in red, splicing bubbles highlighted in red, and unit totals clearly tallied. The goal is to create a connection so precise that it minimizes signal loss and reflection. Fusion Splicing: This advanced technique uses an. Preparing cables for splice closures involves several steps that should be followed in the exact sequence specified by the manufacturer to ensure the cables are properly secured with adequate strain relief and the closure will seal. These boxes are well suited as optical cable splice collection points for DAS (Distributed Antenna Systems), MTU (Multi-Tenant Unit) commercial business applications, and MDU (Multi-Dwelling Unit). Fiber cable splicing is the process of permanently joining two optical fibers end-to-end to allow light signals to pass through with minimal loss. Signal Loss Signal loss can occur in Fiber Optic Splice Closure (FOSC) due to various reasons such as.

What to do if the fiber optic splice box is fully stocked



These aluminum enclosures are designed for high-density splice storage, with emphasis on proper fiber management and versatility of cable port seals and cable tie-down features. FSB enclosures can be ...



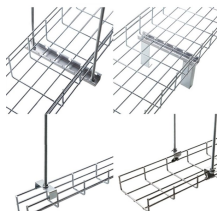
This guide explores everything about fiber optic cable splice—from fiber fusion splice basics to how to splice fiber cable step-by-step—covering tools, techniques, and practical tips.



Learn how to install a fiber optic termination box step-by-step for FTTH projects. Covers mounting, splicing, routing, labeling, and testing for indoor/outdoor use.



Learn how to perform mechanical fiber cable splicing inside fiber enclosures using fiber splice trays. This step-by-step guide covers fiber preparation, alignment, splicing, protection, and ...



In this clip, we break down what to do when your splice case has 3 or more cables. Pro tip: Go to the out end, hook up there, and bring it back toward the splice case. That's how you make...



A Fiber Optic splice box should not only accommodate the initial number of splices but also offer modular trays for cost-effective expansion. This prevents the need to replace the entire enclosure as ...



Explore reliable optical fiber splice closures for network deployment. Our closures prioritize reliability, installability, and flexibility.



Care should be taken when arranging fibers and splices in splice trays and buffer tubes in the splice closure to ensure all fibers are safely stored. Closures usually have spaces to secure buffer tubes ...



When it comes to troubleshooting Fiber Optic Splice Closure (FOSC), there are a few common issues that may arise. In this section, we will discuss these issues and how to troubleshoot ...



The Fiber Optic Splicing Playbook v3.5 provides field technicians and managers with standardized procedures for FTTH builds, PPE readiness, splice enclosure selection, waste management, and ...



A Fiber Optic splice box should not only accommodate the initial number of splices but also offer modular trays for cost-effective expansion. This prevents the need ...

Contact Us

For more information, pricing, or custom network solutions, please contact us:

Website: <https://hashherbcafe.co.za>

Email: hello@hashherbcafe.co.za

Phone: +27 63 814 7295

Address: 15 Galaxy Road, Linbro Business Park, Johannesburg, 2065, South Africa

This document is for informational purposes only. Specifications subject to change without notice.

