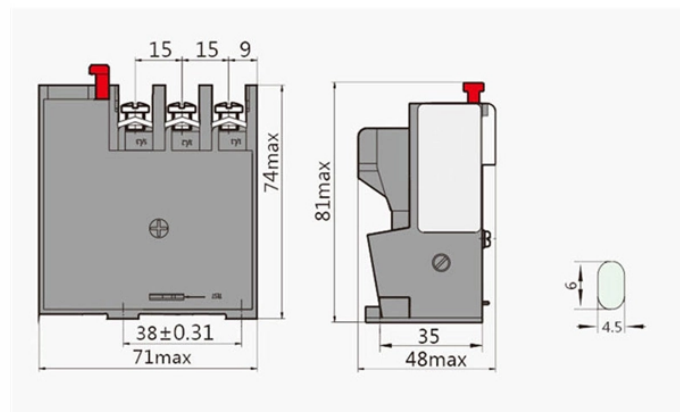


## Venezuela to fiber optic cable



### Overview

An agreement to build Venezuela's first optical fiber cable plant was signed by the authorities of Venezuela and Iran, Prensa Latina informed on November 3. The documents were signed by the governor of the Venezuelan state of La Guaira, Jose Alejandro Teran, and Iran's Minister of Information. The Venezuela Fiber Optics Market is experiencing steady growth driven by increasing demand for high-speed internet connectivity and advanced communication services. The market is witnessing significant investments in fiber optic infrastructure development by both government and private sector.



## Venezuela to fiber optic cable



The agreement was signed in the company of Iran's ambassador to Venezuela, Hojjatolah Soltani, as well as the Iranian Minister of Information Technology, Seyed Sattar Hashemi, who ...



The deployment of fiber optics technology is gaining traction in the country due to its superior performance in terms of speed, reliability, and bandwidth capacity compared to traditional copper ...



Venezuelan and Iranian authorities announced this weekend the signing of an agreement to build a fiber optic factory in the South American country, more specifically in La Guaira, a State ...



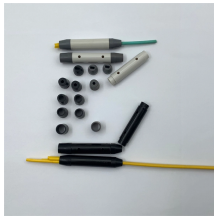
Venezuela has received a significant boost to its telecommunications infrastructure, as the state of La Guaira received crucial production materials for a fiber optic factory, a project that Iran ...



Venezuela seeks to modernize its digital infrastructure with 36,000 km of fiber optic cable and 500 5G base stations by 2031, in addition to strengthening international connectivity and...



In November 2025, Venezuela officially approved the joint venture between the La Guaira Special Economic Zone and MDC, cementing the Iran-Venezuela fiber optic partnership as permanent ...



Venezuela signed an alliance with the Iranian company MDC. The agreement established the start of "adaptation work" to install a fiber optic factory ...



An Iranian fiber optic factory has commenced operations in Venezuela as part of expanding the "technology diplomacy" initiative, says minister of information and communications ...



03.11.2024, Caracas. An agreement to build Venezuela's first optical fiber cable plant was signed by the authorities of Venezuela and Iran, Prensa Latina informed on November 3. The documents were ...



The new plant, named Venefibra, represents an effort in the pursuit of technological sovereignty and economic diversification. Photograph: Radio Miraflores. Guacamaya, July 10, 2025. ...



Venezuela signed an alliance with the Iranian company MDC. The agreement established the start of "adaptation work" to install a fiber optic factory in the state of Vargas.

## Contact Us

For more information, pricing, or custom network solutions, please contact us:

Website: <https://hashherbcafe.co.za>

Email: [hello@hashherbcafe.co.za](mailto:hello@hashherbcafe.co.za)

Phone: +27 63 814 7295

Address: 15 Galaxy Road, Linbro Business Park, Johannesburg, 2065, South Africa

This document is for informational purposes only. Specifications subject to change without notice.

