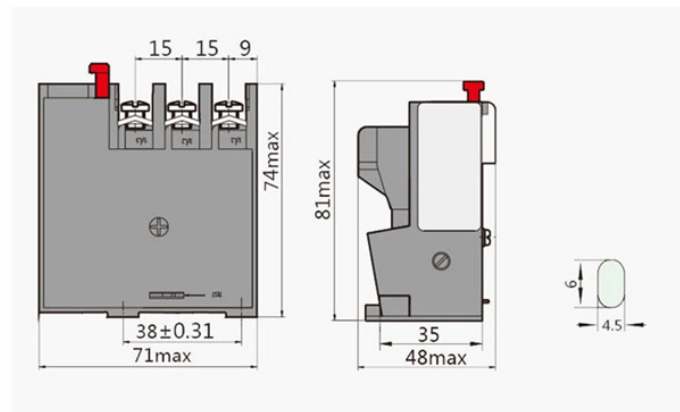


Usage guidelines for fiber optic patch cords



Overview

This complete fiber optic patch cable guide covers connector types, single-mode vs multimode, insertion loss specs, and how to choose the right cable for your data center or enterprise network. Whether you're cabling a new AI training cluster, upgrading a campus backbone, or just replacing aging patch cords in a. These short fiber optic cords connect transceivers, switches, patch panels, and servers. As data rates increase from 10G → 100G → 400G → 800G, patch cables must handle more bandwidth, more density, and stricter. In this article, we will introduce you specific operation guidelines and related suggestions from three aspects of fiber optic patch cord connection, disconnection methods and daily maintenance to help you avoid unnecessary troubles and losses in fiber optic cabling. OFNR (Riser) rated jacket with Kevlar yarn, and are factory terminated resulting in uncompromised performance. GT-SCSCDM4A-xM fiber optic patch cords are ideal for short distance patching. What are the Precautions for Connecting and Disconnecting Fibre Patch Cords?

When connecting these cords, you first need to remove the rubber safety

caps covering the fibre connectors at both ends and keep them in place. You must also ensure that the transceivers are not capped so that you can.

Usage guidelines for fiber optic patch cords



Choosing the right cable thus boils down to educating oneself about fiber optic patch cable types, their applications, and how to maintain them. This guide will cover fiber optic patch ...



Although most fiber optic cables are not conductive, any metallic hardware used in fiber optic cabling systems (such as splice closures, pedestals, messenger wire, wall-mounted termination boxes, ...



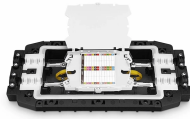
In this article, we will introduce you specific operation guidelines and related suggestions from three aspects of fiber optic patch cord connection, disconnection methods and daily ...



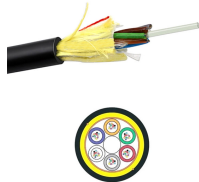
Patch cables of inappropriate length shall not be used, and flanges are not allowed to connect two sections of patch cables. Each fiber fiber optic patch cord should ensure that the radius ...



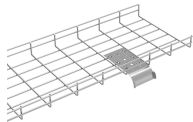
Explore fiber optic patch cords for telecom, data centers, and FTTH. From LC/SC to MPO/MTP and armored jumpers, ZION Communication offers high-quality, customizable fiber patch ...



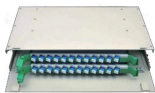
Cleaning is essential for maintaining and optimising the signal transmission of fibre patch cords. In detail, here are four ways to take care of your patch cords.



Explore fiber optic patch cords for telecom, data centers, and FTTH. From LC/SC to MPO/MTP and armored jumpers, ZION Communication offers ...



Choosing the wrong type of patch cable can cause signal loss, downtime, or higher costs. This guide explains what fiber patch cables are, their types, connector standards, where they ...



Adhering to a comprehensive guideline for fiber optic patch cords is essential for ensuring reliable connectivity and optimal performance in fiber optic networks.



GT-LCSTDS2Y-xM fiber optic patch cords are ideal for short distance patching applications. These fiber optic cables tested for insertion loss and reflectance on all connectors.



Confused by LC, SC, MPO, UPC, and APC? This complete fiber optic patch cable guide covers connector types, single-mode vs multimode, insertion loss specs, and how to choose the right ...

Contact Us

For more information, pricing, or custom network solutions, please contact us:

Website: <https://hashherbcafe.co.za>

Email: hello@hashherbcafe.co.za

Phone: +27 63 814 7295

Address: 15 Galaxy Road, Linbro Business Park, Johannesburg, 2065, South Africa

This document is for informational purposes only. Specifications subject to change without notice.

