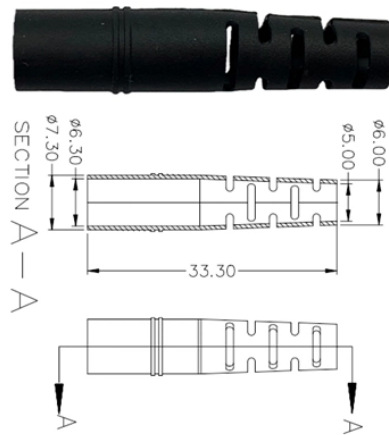


## Relay protection double-circuit sequential operation



## Relay protection double-circuit sequential operation



The new, patented relay-to-relay logic communication technique repeatedly sends the status of eight programmable internal relay elements, encoded in a digital message, from one relay to the other ...



To obtain as fast and dependable relay operation as possible at faults inside the area of protection, a high-set stage is used in addition to the stabilized stage.



The objective of this presentation is to convey a basic understanding of protective relays to an audience of technical professionals already familiar with low voltage protective device coordination.



Special protection systems, protection of multi-terminal lines, and single-phase tripping and reclosing are also included. The impact of different electrical parameters and system performance considerations ...



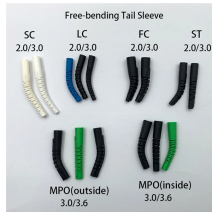
The proposed protection scheme can be used when primary protection of double circuit line, based on transverse differential principle, becomes blocked due to permanent tripping of one ...



To overcome some of the problems associated with double line protection, various modern day improvements are available such as improved distance protection schemes, distance protection ...



Protective relays and devices have been developed over 100 years ago to provide “lastline” of defense for the electrical systems. They are intended to quickly identify a fault and isolate it so the balance of ...



Distance protection performance problems are in the focus due to the fact that they are the most commonly used protection type for parallel transmission lines. The behavior of ground overcurrent ...



But in double-circuit line applications, faults near one end of the line may result in a sequential trip operation. This sequential trip happens when the instantaneous relay elements trip the ...



A fast and selective arc fault mitigation for air-insulated LV & MV switchgear and Relion protection and control relays and sensor technology protect staff and plant facilities for many years.

## Contact Us

For more information, pricing, or custom network solutions, please contact us:

Website: <https://hashherbcafe.co.za>

Email: [hello@hashherbcafe.co.za](mailto:hello@hashherbcafe.co.za)

Phone: +27 63 814 7295

Address: 15 Galaxy Road, Linbro Business Park, Johannesburg, 2065, South Africa

This document is for informational purposes only. Specifications subject to change without notice.

