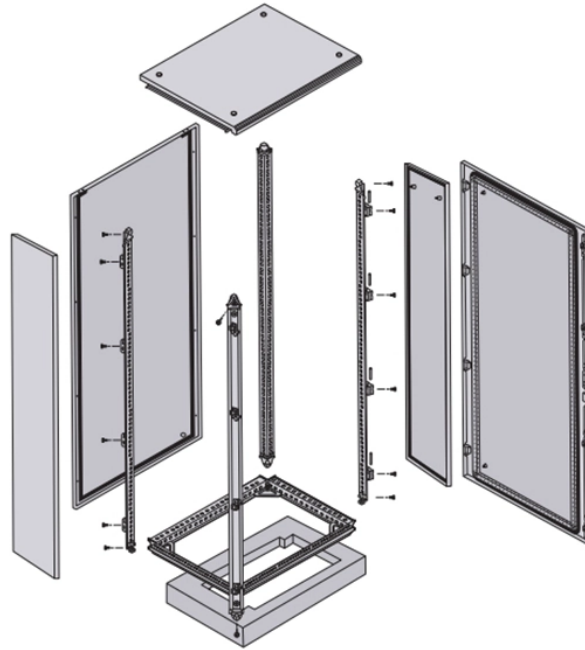


Price range of explosion-proof distribution boxes for smart buildings in the EU



Overview

The price of an explosion-proof distribution box is determined by factors like size, explosion-proof level, brand of internal components, and the material of the box. To get an accurate price, it's essential to have detailed specifications and drawings. The global explosion-proof distribution box market is poised for significant expansion, driven by escalating demand in hazardous industries including oil & gas, chemical processing, and mining. 2 Billion in 2024 and is expected to reach USD 2. The explosion-proof power distribution boxes market plays a crucial role in ensuring electrical safety and. Explosion-proof distribution boxes are a critical concern for many, and their prices vary due to several factors. Understanding these factors can give a clearer idea of the pricing. We offer bespoke, custom-made terminal boxes and terminal box combinations, as well as standard products with short delivery times.

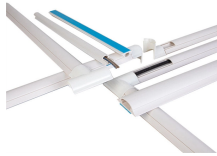
Price range of explosion-proof distribution boxes for smart building



Explosion-proof distribution boxes are available in various sizes, materials, and configurations, catering to diverse applications and safety requirements. Common materials include ...



The Explosion-Proof Distribution Box Market was valued at USD 1.2 billion in 2024 and is projected to reach USD 2.5 billion by 2034, registering a CAGR of 7.5%.



The price of an explosion-proof distribution box is determined by factors like size, explosion-proof level, brand of internal components, and the material of the box. To get an accurate ...



We offer bespoke, custom-made terminal boxes and terminal box combinations, as well as standard products with short delivery times. Our products are certified for installation technologies all over the ...



Explore the complete breakdown of distribution box costs, including safety features, scalability options, and operational benefits. Learn how to maximize your investment in electrical distribution systems.



Discover explosion proof power distribution boxes with IP55/66 ratings, CE certification, and durable electrical enclosures for industrial safety.



Explore the Explosion-proof Power Distribution Boxes Market forecasted to expand from USD 1.2 billion in 2024 to USD 2.5 billion by 2033, achieving a CAGR of 9.5%. This report provides a thorough ...



The report will help the Explosion-Proof Distribution Box manufacturers, new entrants, and industry chain related companies in this market with information on the revenues, production, and average ...



What industries are the primary drivers of demand for explosion-proof distribution boxes? The explosion-proof distribution box market is driven by high-risk sectors where flammable gases or ...



We supply certified explosion proof distribution box & Atex Transformer -Appleton, ATKON, CZ, CEAG, brands for safe and reliable industrial use.

Contact Us

For more information, pricing, or custom network solutions, please contact us:

Website: <https://hashherbcafe.co.za>

Email: hello@hashherbcafe.co.za

Phone: +27 63 814 7295

Address: 15 Galaxy Road, Linbro Business Park, Johannesburg, 2065, South Africa

This document is for informational purposes only. Specifications subject to change without notice.

