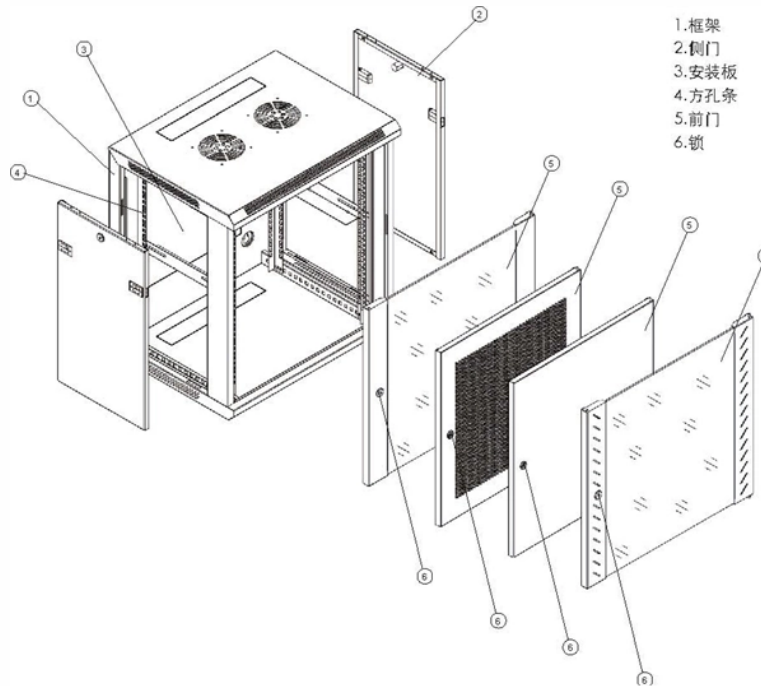


# Incoming wire in the distribution box



## Overview

Line terminals, typically located at the top of the enclosure, receive incoming service from the utility. These are usually connected to thick black or red wires, each carrying 120V in a split-phase system. Whether in a home or an industrial facility, this box keeps your electrical setup organized, functional, and efficient. However, the key to. Material preparation: Prepare the required circuit breakers, wires, wiring ties and other materials, and ensure that they meet the design drawings and installation requirements. Before we dive into technical details, let's establish why this matters so much. Follow this guide for a clear and safe connection process: Before starting, always ensure the main power is turned off to avoid electrical shock.

## Incoming wire in the distribution box



Wiring Direction: Wiring between the main circuit breaker and each branch circuit breaker in the box generally goes on the left, and the wiring out of the distribution box generally goes on the ...



Learn about the wiring process for a 3 phase distribution board (DB) box, including the necessary steps and safety precautions. Understand how to connect the incoming power supply, distribute it to ...



Clear wiring diagram for residential electric meter box, showing connections, safety components, and layout for accurate installation and maintenance.



Live (L) Wire Connection: In a distribution box setup, the incoming live wire (also known as phase or hot wire, denoted as L or Line) connects to the line terminal of the circuit breaker. This ...



Circuit breaker wiring configurations involve organizing main switches, busbars, and branch breakers within a distribution box. Proper setups ensure balanced ...



Just like you wouldn't want a weak or clogged artery in your body, you don't want subpar incoming lines feeding your distribution box. We'll walk through everything you need to consider, ...



Explore a comprehensive guide to residential electric meter box wiring diagrams, offering clear instructions for safe and efficient installation.



Learn how to install a distribution box safely and correctly. Covers wiring, placement, standards, and expert tips for a compliant setup.



Connect the phase and neutral wires from the input power supply to the input of the Main MCB. Connect the output of the Main MCB to the input of the RCCB. If you use a DP MCB for output ...



Fix the box securely to the wall, ensuring it's at an accessible height and the installation site is free of obstructions. This is the first and crucial connection—attach the incoming live wire (typically marked ...



**Live (L) Wire Connection:** In a distribution box setup, the incoming live wire (also known as phase or hot wire, denoted as L or Line) connects to the line ...



Circuit breaker wiring configurations involve organizing main switches, busbars, and branch breakers within a distribution box. Proper setups ensure balanced electrical loads, ground fault protection, and ...

## Contact Us

For more information, pricing, or custom network solutions, please contact us:

Website: <https://hashherbcafe.co.za>

Email: [hello@hashherbcafe.co.za](mailto:hello@hashherbcafe.co.za)

Phone: +27 63 814 7295

Address: 15 Galaxy Road, Linbro Business Park, Johannesburg, 2065, South Africa

This document is for informational purposes only. Specifications subject to change without notice.

