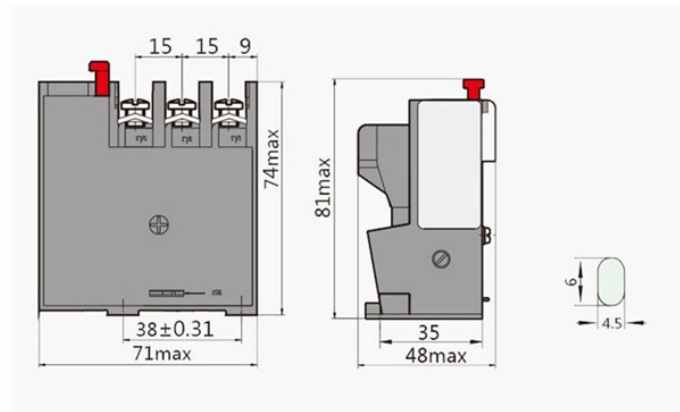


# Huijue 576-core optical fiber junction box



## Huijue 576-core optical fiber junction box



Fiber optic cabinet, max up to 12/24/48 trays, 12 ports one tray, total 144/288/576 ports, FC or SC adapter can be installed. Optional cabinet material: SMC, ...



The cabinet has functions of cable termination, as well as fiber distribution, splice, storage and dispatch, it has good performance of resisting the open-air environment and can resist severe climatic change ...

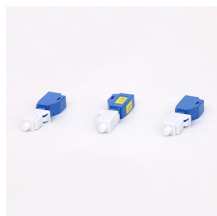
LoRa handheld portable base station



576 Core Fiber Optic Outdoor Street Cabinet Fiber Optic Cross Connection Cabinet with Cold Roll Steel Material from Chinese supplier, Huizhou YHT Broadband Equipment Co., Ltd..



Outdoor fiber distribution cabinet, Telecom High density 576core Cross-Connection Cabinet box, with two front doors.



This product is suitable for both standard optical cables and ribbon-shaped optical cables, offering ample wiring space. It ensures effective protection for all optical cables and fibers within the distribution frame.



Q: What is this product used for?A: This optical cross-connect box is designed for fiber optic network distribution, cross-connection, and terminal management in outdoor and indoor applications.



12-core integrated module. FC and SC adapters can be installed. With reliable fiber cable fixing and grounding protection devices. Applicable for single core and ribbon optical cable.



Fiber optic cabinet, max up to 12/24/48 trays, 12 ports one tray, total 144/288/576 ports, FC or SC adapter can be installed. Optional cabinet material: SMC, stainless steel.



Excellent Anti-removable Screw Opening Type to protect fiber and splice ensuring durability. 576 core fiber joint closure. Overlap structure in splicing tray for easy installation.



This smc floor-standing 576-core three-network-in-one optical junction box speaks with real data and is a trustworthy "invisible hero" at the engineering end. It is recommended to give priority to the version ...



With reliable fiber cable fixing and grounding protection devices. Applicable for single core and ribbon optical cable.

## Contact Us

For more information, pricing, or custom network solutions, please contact us:

Website: <https://hashherbcafe.co.za>

Email: [hello@hashherbcafe.co.za](mailto:hello@hashherbcafe.co.za)

Phone: +27 63 814 7295

Address: 15 Galaxy Road, Linbro Business Park, Johannesburg, 2065, South Africa

This document is for informational purposes only. Specifications subject to change without notice.

