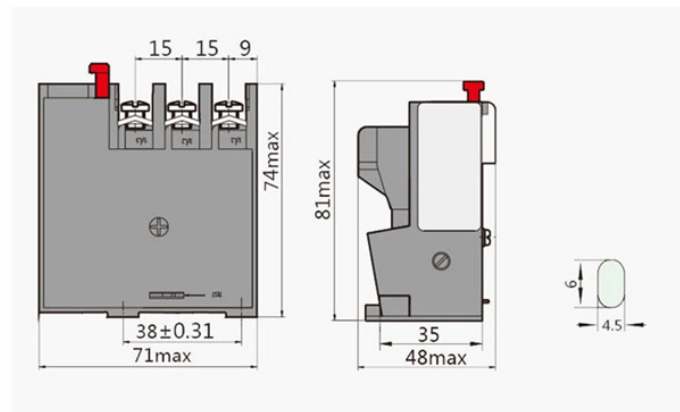


Huawei network terminal box connection failed



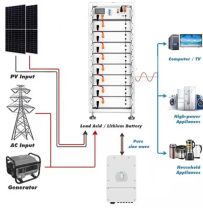
Overview

If the STA connects to the device through a network port, check whether the Ethernet cable is loose. Common causes for login failures include the network disconnection, disabled service, access policy blocking, and insufficient account permission. The following table lists typical troubleshooting cases. The Wizard screen is displayed by default at the first startup. If it is not the first time you power on the terminal, press on the remote control and choose Advanced >. My modem after plugging in is at the constant state of registering. It blinks blue every three seconds. SIM | primary sim path: /org/freedesktop/ModemManager1/SIM/0 What should I use and how can. □□ WLAN Troubleshooting Simplified: Common Reasons for Terminal Online Failures In this session, we dive into practical troubleshooting techniques for when your terminals fail to come online. Whether you're dealing with issues related to DHCP, channel utilization, authentication failures, or. Manuals and User Guides for Huawei HG8240H5 GPON Terminal.

Huawei network terminal box connection failed



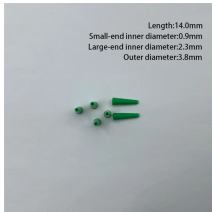
The built in Rasberry Pi wifi can see the sun 2000 network available to connect with a signal strength between 50 and 60. I select wpa-psk security and enter the correct password.



By default, an AC with a management network port does not allow for the login through a service network port. To enable the login to the AC through service network ports, cancel this restriction by ...



I have set up my B535 mobile broadband router and have inserted my sim correctly but I am getting a "registration failed" error resulting in no internet connection.



If the number of lost packets is 0, the ACS address is reachable. If the ACS address is reachable but the SIP activation fails, restart the terminal or restore the terminal to factory settings ...



Problem: I am running F39 with GNOME. I tried to connect but with no result. My modem after plugging in is at the constant state of registering. It blinks blue every three seconds. I get ...



When Config state of the ONU is displayed as failed, check whether the OLT generates the following alarm. If such an alarm is generated, clear it and check whether the fault is rectified.



View online or download Huawei HG8240H5 GPON Terminal Troubleshooting Manual.



Please connect your modem to the Optical Network Terminal (ONT) or Network Termination Device (NTD) or Fibre Box via the WAN port of your modem using an Ethernet cable.



Click here for the Huawei HG8240T5 Installation Guide. The colours of each LED light on your Huawei HG8240T5 Optical Network Router (ONR) have different meanings.



Whether you're dealing with issues related to DHCP, channel utilization, authentication failures, or device-specific glitches, we've got you covered!
☐☐ Key Takeaways: Understanding Terminal ...

Contact Us

For more information, pricing, or custom network solutions, please contact us:

Website: <https://hashherbcafe.co.za>

Email: hello@hashherbcafe.co.za

Phone: +27 63 814 7295

Address: 15 Galaxy Road, Linbro Business Park, Johannesburg, 2065, South Africa

This document is for informational purposes only. Specifications subject to change without notice.

