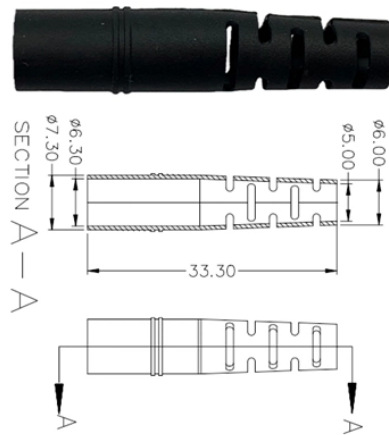


Fiber Optic Cable for Network Transmission



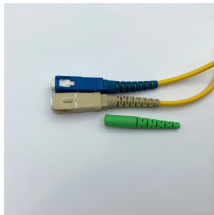
Fiber Optic Cable for Network Transmission



A fiber optic cable is a transmission medium that uses strands of glass or plastic fibers to carry data as pulses of light. It offers high bandwidth, low signal loss, and resistance to ...



Discover the benefits of fiber optic Ethernet cables for high-speed data transmission. Learn how they work, types, applications, and buying tips.



Our comprehensive guide to types of fiber optic cables. Learn all about the differences between single mode and multimode cables, as well as the various fiber wavelengths and standard core sizes used ...



Experience lightning-fast data transmission with fiber optic ethernet cables. Discover options built for high-performance networking, with speeds up to 40 Gbps.



Fiber optic cables offer significant advantages over traditional copper conductor and electrical cable, including higher speed, greater bandwidth, longer transmission distances, and ...



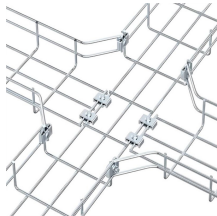
Fiber optic cables are essential components in modern data transmission infrastructure. They support high-speed, interference-resistant communication and are particularly effective in ...



Discover fiber optic cable types, including single-mode, multi-mode, armored, and ribbon fiber. Learn their applications for telecom, data centers, and industries.



Understand how to choose fiber optic cable by comparing single-mode vs. multimode, network speed and distance needs, cable jackets/fire ratings, connectors, cost and future-proofing for data and ...



Discover fiber optic cable types, including single-mode, multi-mode, armored, and ribbon fiber. Learn their applications for telecom, data centers, and industries.



Fiber optic cable is designed to transmit data using light signals instead of electricity, making it faster, more secure, and immune to electromagnetic interference compared to traditional copper cables. An ...

What Are Fiber Optic cables?What Does A Fiber Optic Cable Look like?Single Mode Fiber Optic CablesMultimode Fiber Optic CablesWhich Fiber Optic Cable to BuyFiber optic cables are, like their name suggests, a cable that uses light, rather than electricity to transmit information. They're made from silica glass fibers about the same width as a human hair, which allow the light to bounce back and forth down the length of the cabling. To prevent the light leaking out, and ensure it is reflected down the l...See more on cabledmatters .b_imgcap_alttitle p strong,.b_imgcap_alttitle .b_factrow strong{color:#767676}#b_results .b_imgcap_alttitle{line-height:22px}.b_imgcap_alttitle{display:flex;flex-direction:row-reverse;gap:var(--mai-smtc-padding-card-nested-default)}.b_imgcap_alttitle .b_imgcap_img{flex-shrink:0;display:flex;flex-direction:column}.b_imgcap_alttitle .b_imgcap_main{min-width:0;flex:1}.b_imgcap_alttitle .b_imgcap_img>div,.b_imgcap_alttitle .b_imgcap_img a{display:flex}.b_imgcap_alttitle .b_imgcap_img img{border-radius:var(--mai-smtc-corner-card-default)}.b_imagePair.square_s>ner{width:50px}.b_imagePair.square_s{padding-left:60px}.b_imagePair.square_s>ner{margin:2px 0 0 -60px}.b_imagePair.square_s.reverse{padding-left:0;padding-right:60px}.b_imagePair.square_s.reverse> ner{margin:2px -60px 0 0}.b_ci_image_overlay: hover{cursor:pointer} sightsOverlay,#OverlayIFrame.b_mcOverlay sightsOverlay{position:fixed;top:5%;left:5%;bottom:5%;right:5%;width:90%;height:90%;border:0;border-radius:15px;margin:0;padding:0;overflow:hidden;z-index:9;display:none}#OverlayMask,#OverlayMask.b_mcOverlay{z-index:8;background-color:#000;opacity:.6;position:fixed;top:0;left:0;width:100%;height:100%}p>.news_dt{color:#767676}eaton

Contact Us

For more information, pricing, or custom network solutions, please contact us:

Website: <https://hashherbcafe.co.za>

Email: hello@hashherbcafe.co.za

Phone: +27 63 814 7295

Address: 15 Galaxy Road, Linbro Business Park, Johannesburg, 2065, South Africa

This document is for informational purposes only. Specifications subject to change without notice.

