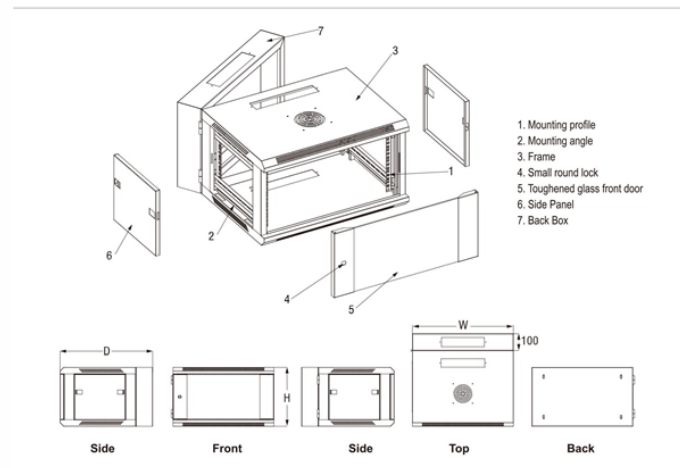


Eight-Electrical Two-Optical Switch



Overview

FW108GPS-2F is an industrial full gigabit management POE switch, which provides 8 gigabit POE ports, 2 gigabit optical ports, and EMC industrial grade 4 protection performance; Corrugated high-strength aluminum shell, IP40 grade, low power consumption design, anti-seismic guide. FW108GPS-2F is an industrial full gigabit management POE switch, which provides 8 gigabit POE ports, 2 gigabit optical ports, and EMC industrial grade 4 protection performance; Corrugated high-strength aluminum shell, IP40 grade, low power consumption design, anti-seismic guide. BL168GMP-SFP is a managed industrial PoE switch with 2 gigabit optical and 8 gigabit PoE ports, meeting FCC, CE, and RoHS standards. It supports Layer 2 protocols for stable communication. With a low-power, fanless design, it operates quietly in -40°C to 75°C and offers strong EMC protection. Ideal. Expands Gigabit Ethernet connectivity in medium and large PoE networks that need to easily route network traffic with visibility to manage the data streams. 8-Port Managed Gigabit Ethernet Switch. Support 2 gigabit optical ports and 8 gigabit electrical ports; Support Ethernet layer 2 protocol required by industrial field to ensure the stability BL168GM-SFP is a network managed industrial. The full Gigabit 8

optical ports+2 electrical ports switch has 8 1000M standard SFP optical ports and 2 10/100/1000M RJ45 electrical ports. Its working principle is that the physical connection forms a ring structure.

Eight-Electrical Two-Optical Switch



It is high-performance, cost effective and flexible solutions for a wide range of applications in the field of LAN campus network. It completely conforms to 10Base-T, 100Base-TX, 100Base-FX and IEEE ...



New generation of Gigabit Ethernet switch designed for top security and performance. Features 8 auto-negotiating RJ45 PoE ports and dual GbE SFP optical ports.



When the main network transmission link fails, the system automatically switches to the backup link, and the fault recovery time can reach 10ms at the fastest. Business capability: support 802.1Q VLAN, ...



8 gigabit electrical port +2 gigabit FX optical port industrial Ethernet switch BL168G supports 8 10Base-T/100Base-T/1000Base-TX electrical port and 2 1000Base-X optical port. Products comply with FCC, ...



BL168GMP-SFP is a managed industrial PoE switch with 2 gigabit optical and 8 gigabit PoE ports, meeting FCC, CE, and RoHS standards. It supports Layer 2 protocols for stable communication. ...



8 Gigabit electrical ports + 2 Gigabit FX optical ports industrial Ethernet switch, supporting 8 100Base-T/1000Base-TX electrical ports and 2 1000Base-X optical ports. Products comply with FCC, CE, ...



RG-SF2920-8GT2MG2XS-P 8-Port GE All-Optical PoE Switch, 2 × 5G Electrical Ports (Backward Compatible) Various port combinations, rate increase, installation in a concealed telecommunication ...



The energy-efficient NGS8C2POE 8-Port Gigabit L2 Web-Smart Managed PoE+ Network Switch features eight twisted-pair RJ45 Gigabit Ethernet ports that support auto-negotiable ...

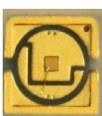


The full Gigabit 8 optical ports+2 electrical ports switch has 8 1000M standard SFP optical ports and 2 10/100/1000M RJ45 electrical ports. Its working principle is that the physical connection forms a ring ...

An Extensive Library of Self-Developed Products



The energy-efficient NGS8C2POE 8-Port Gigabit L2 Web-Smart ...



It is high-performance, cost effective and flexible solutions for a wide range of applications in the field of LAN campus network. It completely conforms to ...



BL168GM-SFP is a network managed industrial Ethernet switch that complies with FCC, CE and RoHS standards. Support 2 gigabit optical ports and 8 gigabit electrical ports; Support Ethernet layer 2 ...



BL168GMP-SFP is a managed industrial PoE switch with 2 gigabit optical and 8 ...

Contact Us

For more information, pricing, or custom network solutions, please contact us:

Website: <https://hashherbcafe.co.za>

Email: hello@hashherbcafe.co.za

Phone: +27 63 814 7295

Address: 15 Galaxy Road, Linbro Business Park, Johannesburg, 2065, South Africa

This document is for informational purposes only. Specifications subject to change without notice.

