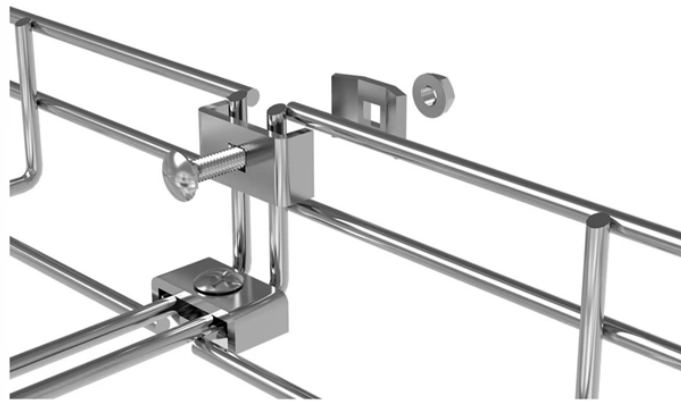


# Categories of Household Distribution Boxes



## Overview

Distribution boxes can be broadly categorized by their voltage level, application environment, and primary function. The two most fundamental distinctions are between Low-Voltage Distribution Boards and Medium-Voltage Distribution Enclosures, often referred to as Ring Main Units. In this guide, we'll break down the 12 main types of distribution boxes in a way that's easy to understand. We'll chat about what each one does, where it shines, and then dive into how to choose the perfect box for your needs. Plus, we'll sprinkle in some practical tips to make sure you're not. Electrical systems power our homes, offices, and industrial facilities, but behind every reliable electrical setup lies a crucial component that often goes unnoticed: the distribution box. Distribution. What is a Distribution Box?

At its core, a distribution box, also known as a distribution board, panelboard, or fuse box, is a protective enclosure that houses all the electrical components that control and protect the circuits in a building. It receives a single, high-amperage power feed and

## Categories of Household Distribution Boxes



Discover the key types of distribution boxes with NUOMAK's comprehensive guide. Learn about Main Distribution Boards (MDB), Consumer Units, Transfer Switches, and more to choose the perfect ...



Learn about distribution boxes, their types, functions, and safety features to ensure efficient and secure electrical power distribution in any building.



We'll explain what they are, the different panel types you'll encounter, NEC 408 requirements that govern their installation, and common applications for each type.



In this guide, we'll break down the 12 main types of distribution boxes in a way that's easy to understand. We'll chat about what each one does, where it shines, and then dive into how to choose the perfect ...



Understand distribution boxes (DB boxes) in 5 minutes. Learn about types, components, functions, and uses. Find the perfect DB box for your needs.



Learn what an electrical distribution box (DB/distribution board) is, its main components (MCB/RCCB/RCBO, SPD, busbar) and common types. Includes a quick selection guide for ways, IP ...



Different applications require different types of distribution boxes. Selecting the right type ensures optimal performance and compliance with relevant standards. Home distribution boxes ...



Common types include indoor distribution boxes, outdoor distribution boxes, metal distribution boxes, plastic distribution boxes, wall-mounted boxes, and floor-standing boxes.



This guide provides an exhaustive overview of the different types of distribution boxes, their features, applications, and considerations for selection and installation.



Choosing the right distribution box is crucial for the safety, efficiency, and reliability of any electrical system. Understanding the different types available and their specific applications will help ...

## Contact Us

For more information, pricing, or custom network solutions, please contact us:

Website: <https://hashherbcafe.co.za>

Email: [hello@hashherbcafe.co.za](mailto:hello@hashherbcafe.co.za)

Phone: +27 63 814 7295

Address: 15 Galaxy Road, Linbro Business Park, Johannesburg, 2065, South Africa

This document is for informational purposes only. Specifications subject to change without notice.

