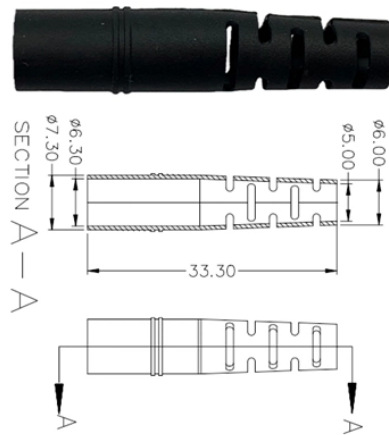


Are galvanized mesh cable trays fireproof



Are galvanized mesh cable trays fireproof



This is achieved by applying a specialized fire-resistant coating to the surface of standard cable trays, significantly enhancing their fire resistance and flame-retardant properties.



In addition, the use of high environmental protection pigment makes the fireproof coating on the cable tray non-toxic, with no pollution, and has excellent fire resistance, water resistance, and oil ...



Need durable cable management? Our galvanized steel wire mesh cable trays offer corrosion resistance and custom sizing. Perfect for construction and industrial projects. [Click to compare suppliers and ...](#)



Only use fireproof trays for flame containment or isolation, not for unrelated functions. Do not modify or damage the tray coating or structure during use.



Each tray is coated with a specialized fire-resistant powder, ensuring protection and resilience, designed to withstand extreme conditions, the trays offer reliable performance.



Only use fireproof trays for flame containment or isolation, not for unrelated functions. Do not modify or damage the tray coating or structure during use.



Perforated cable trays and wire mesh cable trays improve airflow and heat dissipation, reducing the possibility of overheating and insulation damage. Compliance with Fire Safety ...



Meka Pro regularly tests the fire resistance of its products to ensure high-quality and safe cable management systems. The products are tested extensively and using several different installation ...



Hot-dip galvanized steel trays are coated with a layer of zinc to protect against corrosion, but they offer limited fire resistance. Zinc melts at relatively low temperatures, which means that ...



Discover high-quality fireproof wire mesh galvanized steel cable tray designed for efficient cable management, offering durability and easy installation. Ideal for enhancing organizational systems in ...



Fire performance is another important consideration. Composite trays are manufactured with fire-retardant resin systems designed to limit flame spread and smoke development. While galvanized ...

Contact Us

For more information, pricing, or custom network solutions, please contact us:

Website: <https://hashherbcafe.co.za>

Email: hello@hashherbcafe.co.za

Phone: +27 63 814 7295

Address: 15 Galaxy Road, Linbro Business Park, Johannesburg, 2065, South Africa

This document is for informational purposes only. Specifications subject to change without notice.

