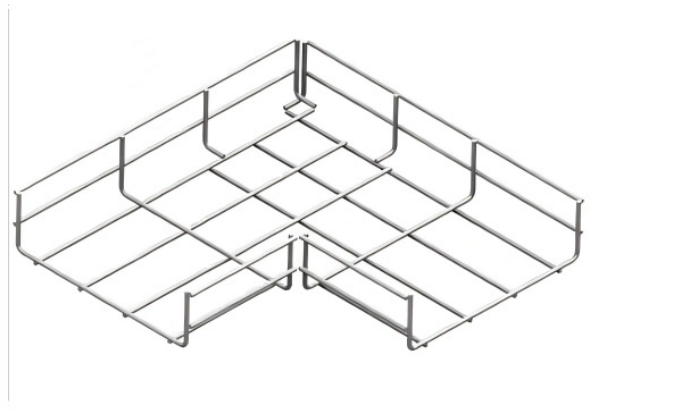


Aerospace Electronic Spectrometer with Low Temperature Resistance



Overview

Our Space Qualified HI REL NTC Thermistors can ensure that both NASA specifications (NPSL, GSFC S-311-P-18) and ESA specifications (ESCC QPL, ESCC Generic Specification 4006) can be met in a range of thermistor resistance value types. TI space grade devices have varying levels of radiation tolerance levels to support low Earth orbit, medium Earth orbit, and geosynchronous orbit missions. This product. Low temperature electronics find potential application in many of NASA planetary exploration and deep space missions where extreme temperatures are encountered. Innovative Sensor Technology iST offers ESCC (European Space Components Coordination) qualified thin-film Pt temperature sensors, applicable from $-200\text{ }^{\circ}\text{C}$ to $+200\text{ }^{\circ}\text{C}$. delivers best in class performance in the UV/VUV range The SPECTRO ARCOS inductively coupled plasma optical emission spectrometer (ICP-OES) excels in industrial and academic applications for the most advanced elemental analysis of. Our thermocouple and RTD temperature sensors are designed to meet the highest.

Aerospace Electronic Spectrometer with Low Temperature Resistan



We will explore the challenges associated with applying NTC (negative temperature coefficient) and RTD (resistance temperature detector) temperature sensors in extreme space environments.



We report progress on a high-performance, long-wavelength infrared hyperspectral imaging system for airborne research. Based on a f/1.25 Dyson spectrometer and 128x128 arsenic doped silicon blocked ...



Bruker Elexsys continuous wave E500 low temperature Electron Paramagnetic Resonance Spectrometer



View our full range of Space Qualified HI REL NTC Thermistor here. All NASA and ESA specifications can be met in a range of thermistors.



Find your spectrometer for the aerospace industry easily amongst the 20 products from the leading brands (HITACHI, Novel Medical Equipment, SPECTRO, ...) on AeroExpo, the aeronautic equipment ...



In this study, we report the development of a push-broom airborne multimodular imaging spectrometer (AMMIS) that spans ultraviolet (UV), visible near-infrared (VNIR), shortwave infrared ...



iST is currently the only supplier providing ESCC qualified Pt temperature sensors. The RTD's are available with different resistances ranging from Pt100 to Pt2000. They can be used in a temperature ...



The low temperature-induced changes exhibited by the three remaining types of resistors, which were film-based, i.e. power, thick, and carbon, investigated in this work were not as severe and their ...



This product overview provides space temperature designs that Texas Instruments can offer, insights in the importance of the options available, and guidance in making best decisions in what space ...



High-precision temperature sensors from AMETEK. Ensure reliable performance in extreme aerospace environments and demanding conditions.

Contact Us

For more information, pricing, or custom network solutions, please contact us:

Website: <https://hashherbcafe.co.za>

Email: hello@hashherbcafe.co.za

Phone: +27 63 814 7295

Address: 15 Galaxy Road, Linbro Business Park, Johannesburg, 2065, South Africa

This document is for informational purposes only. Specifications subject to change without notice.

